

BALI

Bathymetry made Light and simple



Portable and easy-to-use

- Quick to set up
- One surveyor can operate it



Professional Single and Dual Frequency Sounding

- Ideal for inland waters and coastal survey
- Can be upgraded from single to dual frequency



Affordable

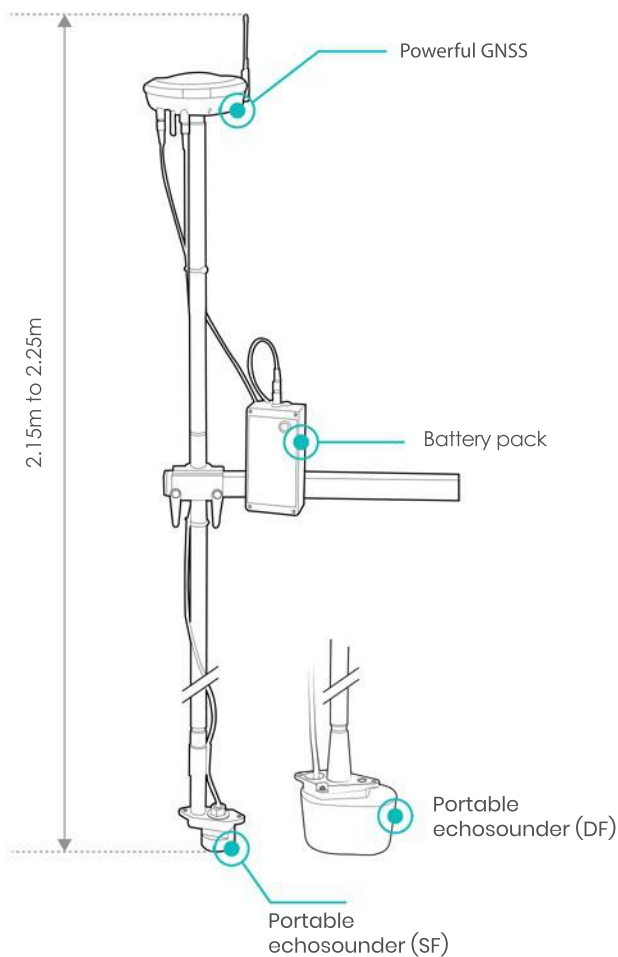
- All-in-one cost effective GNSS RTK, SBES, modems & software system
- No training needed

BALI is an autonomous bathymetry survey solution, which is simple to operate, extremely accurate and affordable. It comes with either a single frequency (SF) or a dual frequency (DF) echosounder.

With BALI, hydro surveying is very intuitive. Professional tablets and software are not mandatory, as BALI can work completely stand alone or using any smartphone with its built-in software connected via Wi-Fi. The integrated smart antenna incorporates GNSS and radio modems to acquire RTK differential corrections in real time to deliver a precision of position of 1cm.

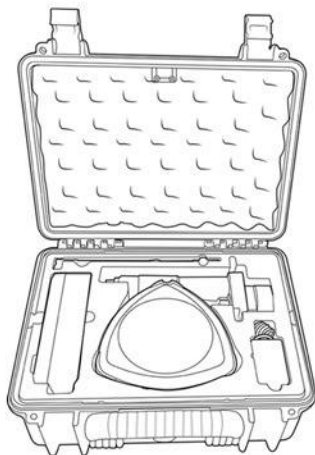
For demanding professionals, the NMEA output makes BALI compatible with any bathymetric software such as QINSy, HYPACK, etc.





Scope of supply

- GNSS antenna with POE cable
- Echosounder
- GSM/UHF antenna (if applicable)
- Battery pack cable & charger
- Rover rod (3 pieces)
- Fixing bar
- Transport case



Key features	
Portable echosounder	200 kHz (SF & DF) - 30 kHz (DF only)
Powerful GNSS	"Powered by Trimble" 240 channels L1/L2 RTK GNSS technology
Radio links	Long range UHF (option)
Technical specifications	
Positioning	L1 & L2 GPS, GLONASS, BeiDou, Galileo enabled (options available) RTK (1cm) - RTX (4cm) - SBAS (0.5m)
Echosounding	200 kHz echosounder (SF & DF series) Range 200m - Precision: 0.2% depth - 9° beam width 30 kHz echosounder (DF series only) Range 200m - Precision: 0.2% depth - 26° beam width
Radio communication	GSM cell (standard) Long range UHF (403 - 473 MHz) option
I/O interfaces	Wi-Fi Ethernet
Data format	
◦ Position	Latitude, Longitude, Altitude (WGS84)
◦ Sounding	Water height (meter)
Data output	NMEA 0183
Software interface	Web browser
Physical characteristics	
Dimensions	SF series - Height 2.15m DF series - Height 2.25m
Weight	SF series - 7 kg (one box) DF series - 14 kg (two boxes)
Environment	
◦ Temperature	Operating -10°C to +40°C, Storage -20°C, +55°C
◦ Ingress Protection	IP67
Monitoring (LEDs)	2 LEDs for GPS reception & UHF link
Power	Battery type: rechargeable high capacity NiMH Autonomy: 5 to 10 hours (mode dependent) External DC: 12VDC (cable in option required)
Options and accessories	
Options	
◦ L-Band for RTX	
◦ GNSS BeiDou and Galileo	
◦ Internal UHF modem	
◦ Power cable for external input	

Specifications subject to change without notice



GEOD® is the brand of products invented by Cadden Supplier and designer of accurate positioning systems for maritime and industrial applications

Parc du Petit Chatelier,
359 Route de Sainte Luce
44300 Nantes | France
info@geodproducts.com
+33 (0)251 824 646

geodproducts.com

