

ANANAS

NEW

Accurate NAVigation Aid System

The smartest accurate & reliable PPU for maritime pilots



Accurate & Precise

- Centimeter positioning, 0.01° heading
- Anti-spoofing technology GNSS receiver
- Independant of the ship's instrumentation



Lightweight & Ergonomic

- Less than 2 kg
- Wireless, internal antennas
- Installation in few minutes



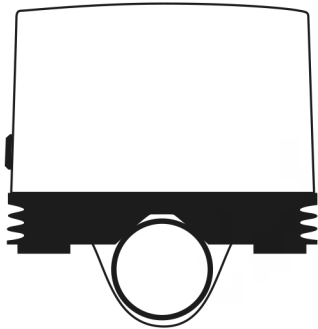
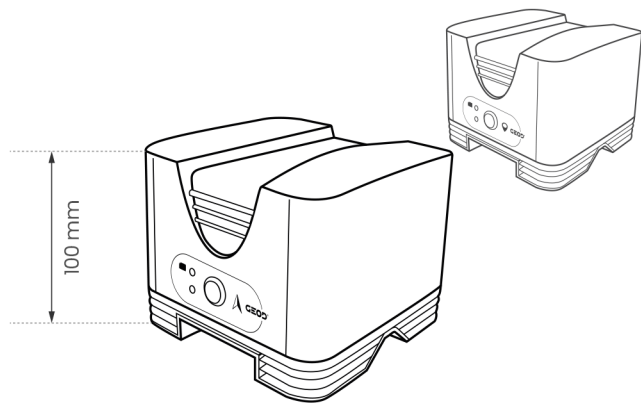
Buoyancy & mounting options

- Waterproof and floating
- Several mounting options



ANANAS is the acronym for Accurate NAVigation Aid System and is the lightest version of BANANAS. This accurate and reliable PPU consists of two independant lightweight beacons, allowing pilots to obtain accurate Heading, ROT, COG and SOG.

This PPU is a lightweight and buoyant solution provided with several mounting options. The Portable Pilot Unit ANANAS is eco-designed and manufactured in France.



Several mounting options

Key features

Powerful GNSS	Multi-constellation, multi-frequencies
Gyro Augmentation	
Autonomy	At least 8h

Technical specifications

Performance	
◦ Position	Centimetric (RTK)
◦ Heading	Accuracy > 0.1° (0.01° at 20 m baseline)
◦ Speed detection	1 cm/sec
◦ Rate-Of-Turn (ROT)	0.05°/min
◦ Output rate	2 Hz
I/O Interfaces	Long range Wifi
Data protocols	NMEA
Software interface	Compatible with any industry standard navigation software

Physical characteristics

Dimensions	100mm x 120mm x 120mm
Weight	< 1 kg
Ingress Protection	IP67
Power	Lithium-ion

Specifications subject to change without notice

Scope of supply

2 beacons

2 battery packs with charger

Waterproof transport bag in cabine baggage format



GEOD[®]

GEOD® a brand of products invented by Cadden Supplier and designer of accurate positioning systems for maritime and industrial applications

Parc du Petit Chatelier,
359 Route de Sainte Luce
44300 Nantes | France
info@geodproducts.com
+33 (0)251 824 646

cadden.fr